

EUROCRAFT INDUSTRIES INC.

76AD OS FRENCH DOOR (HVHZ)(IMPACT)

GENERAL NOTES:

- THE PRODUCT SHOWN HEREIN IS DESIGNED AND MANUFACTURED TO COMPLY WITH THE CURRENT EDITION FLORIDA BUILDING CODE (FBC), INCLUDING HVHZ AND HAS BEEN EVALUATED ACCORDING TO THE FOLLOWING:
 - TAS 201-94
 - TAS 202-91
 - TAS 203-94
- ADEQUACY OF THE EXISTING STRUCTURAL CONCRETE/MASONRY, 2X FRAMING, AND METAL FRAMING AS A MAIN WIND FORCE RESISTING SYSTEM CAPABLE OF WITHSTANDING AND TRANSFERRING APPLIED PRODUCT LOADS TO THE FOUNDATION IS THE RESPONSIBILITY OF THE ENGINEER OR ARCHITECT OF RECORD FOR THE PROJECT OF INSTALLATION.
- 1X AND 2X BUCKS (WHEN USED) SHALL BE DESIGNED AND ANCHORED TO PROPERLY TRANSFER ALL LOADS TO THE STRUCTURE. BUCK DESIGN AND INSTALLATION IS THE RESPONSIBILITY OF THE ENGINEER OR ARCHITECT OF RECORD FOR THE PROJECT OF INSTALLATION.
- INSTALL INDIVIDUAL INSTALLATION ANCHORS WITHIN A TOLERANCE OF $\pm 1/4$ INCH OF THE DEPICTED LOCATION IN THE ANCHOR LAYOUT DETAIL (I.E., WITHOUT CONSIDERATION OF TOLERANCES). TOLERANCES ARE NOT CUMULATIVE FROM ONE INSTALLATION ANCHOR TO THE NEXT.
- THE INSTALLATION DETAILS DESCRIBED HEREIN ARE GENERIC AND MAY NOT REFLECT ACTUAL CONDITIONS FOR A SPECIFIC SITE. IF SITE CONDITIONS CAUSE INSTALLATION TO DEVIATE FROM THE REQUIREMENTS DETAILED HEREIN, A LICENSED ENGINEER OR ARCHITECT SHALL PREPARE SITE SPECIFIC DOCUMENTS FOR USE WITH THIS DOCUMENT IN NON-HVHZ AREAS. IN HVHZ AREAS, ONE TIME PRODUCT APPROVAL TO BE OBTAINED FROM MIAMI-DADE RER OR AHJ.
- APPROVED IMPACT PROTECTIVE SYSTEM **IS NOT REQUIRED** ON THIS PRODUCT IN AREAS REQUIRING IMPACT RESISTANCE.
- DOOR FRAME MATERIAL: VINYL U-PVC
- GLASS MEETS THE REQUIREMENTS OF ASTM E 1300 GLASS CHARTS. SEE SHEET 1 FOR GLAZING DETAILS.

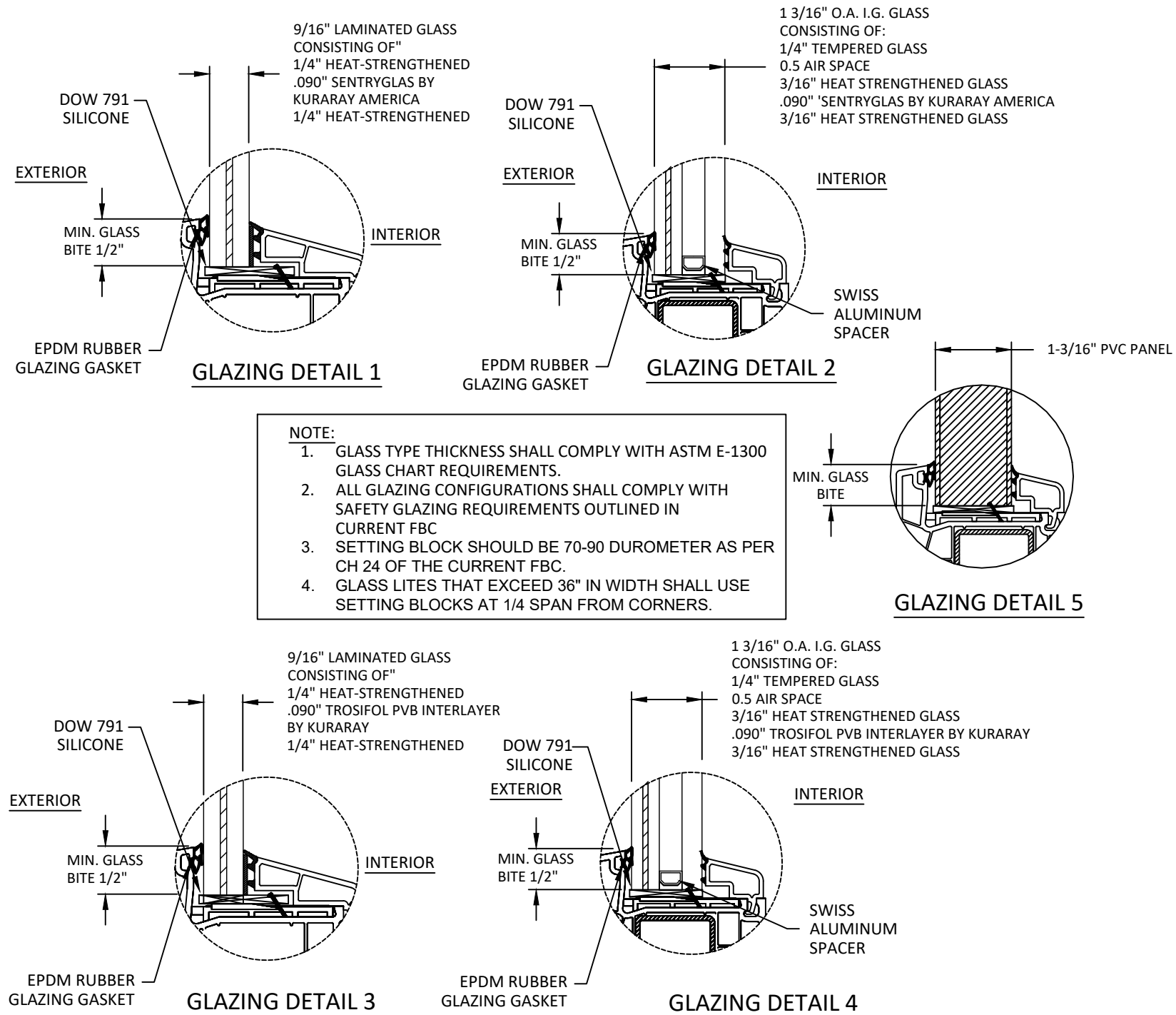


TABLE OF CONTENTS

SHEET	REVISION	SHEET DESCRIPTION
1	A	INSTALLATION AND GENERAL NOTES
2	A	ELEVATIONS & ANCHOR LAYOUT
3	A	ELEVATIONS & ANCHOR LAYOUT
4	A	VERTICAL SECTIONS
5	A	HORIZONTAL SECTIONS
6	A	DESIGN PRESSURE TABLE & OPAQUE PANEL OPTIONS
7	A	INSTALLATION NOTES, REINFORCEMENT & ANCHOR DETAILS
8	A	BILL OF MATERIALS & GLASS LOAD CAPACITIES

MAX OVERALL SIZE		CONFIG.	DESIGN PRESSURE	MISSILE IMPACT RATING
WIDTH	HEIGHT			
44"	120"	X	+/- 120 PSF	LMI
88"	120"	XX	+/- 120 PSF	LMI



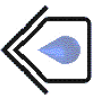
7905 NW 77TH AVE
 MEDLEY, FL 33166
 PH: (305) 888-5718 FX: (305) 220-5073

TITLE: 76AD OS FRENCH DOOR
(HVHZ)(IMPACT)

INSTALLATION & GENERAL NOTES

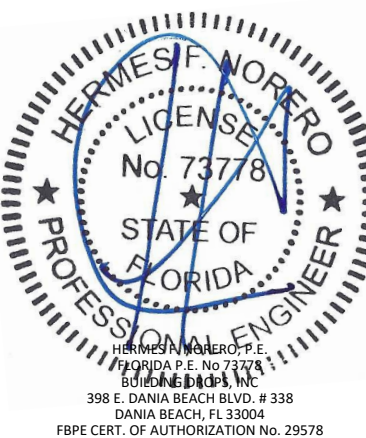
PREPARED BY: BUILDING DROPS, INC.

398 E. DANIA BEACH BLVD., STE. 338
 DANIA BEACH, FL 33004
 PH: (954) 399-8478
 FAX: (954) 744-4738
 WEB: www.buildingdrops.com



REMARKS	BY	DATE
A-CODE CHANGE 2020	YC	09/20

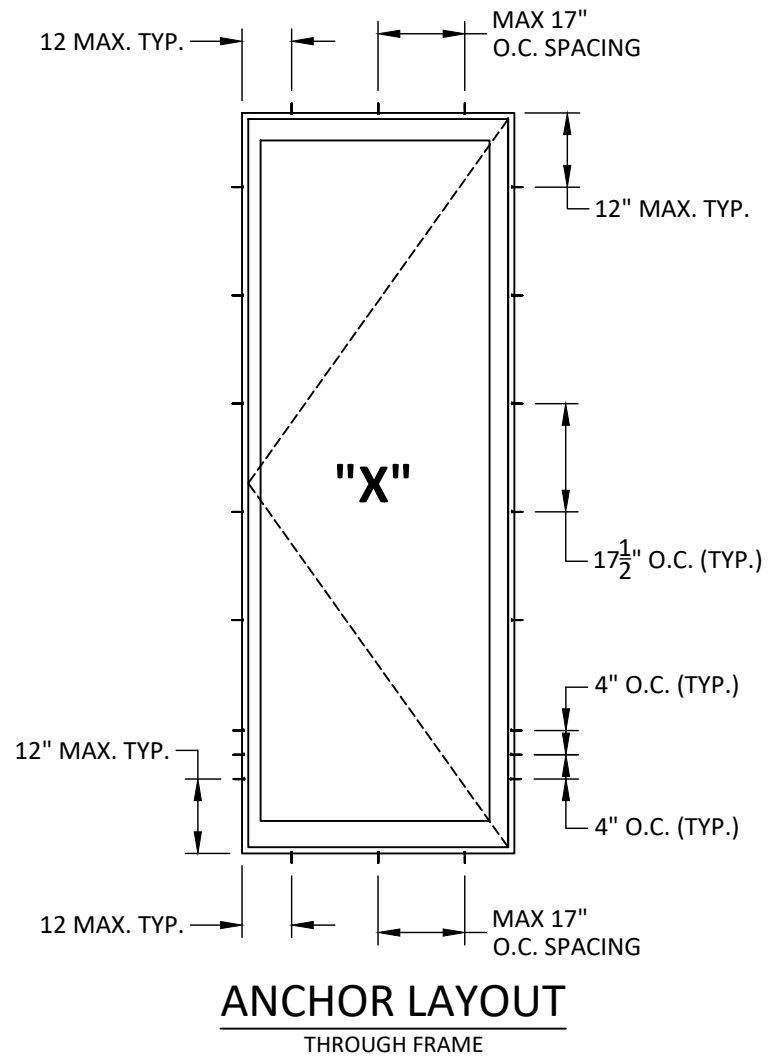
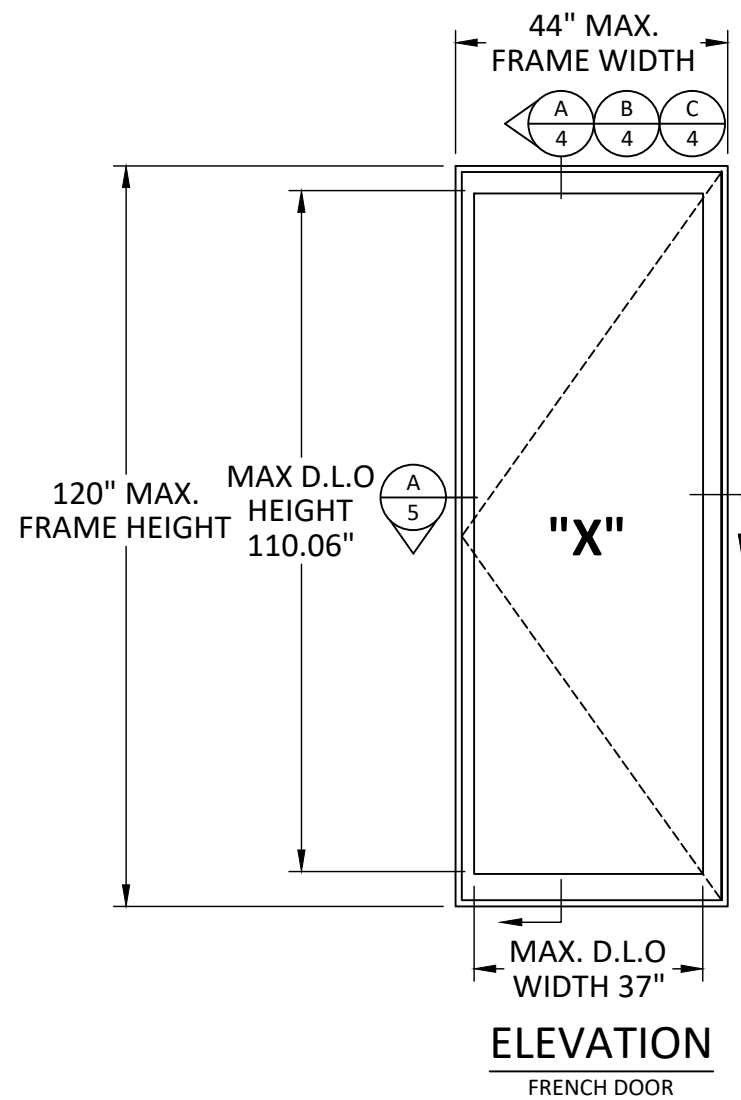
THE INSTALLATION DETAILS DESCRIBED HEREIN ARE GENERIC AND MAY NOT REFLECT ACTUAL CONDITIONS FOR A SPECIFIC SITE. IF SITE CONDITIONS CAUSE INSTALLATION TO DEVIATE FROM THE REQUIREMENTS DETAILED HEREIN, A LICENSED ENGINEER OR ARCHITECT SHALL PREPARE SITE SPECIFIC DOCUMENTS FOR USE WITH THIS DOCUMENT.



FL #:	FL27615
DATE:	05.02.19
DWG. BY:	EG
CHK. BY:	HFN
SCALE:	NTS
DWG. #:	ECI009

SHEET: **1**
 OF 8

s:\projects\eurocraft_industries_inc\c-20-0916-fbc code change (ver. 7)\revisions\new revisions\127615\dwgs\ec009_french door.dwg 12/16/2020 4:27 PM



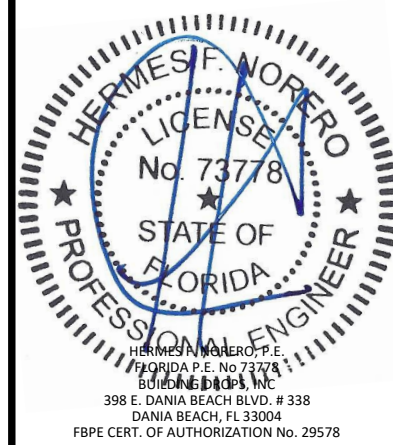
TITLE: 76AD OS FRENCH DOOR (HVHZ)(IMPACT)
ELEVATIONS & ANCHOR LAYOUTS

PREPARED BY:

BUILDING DROPS, INC.
398 E. DANIA BEACH BLVD., STE. 338
DANIA BEACH, FL 33004
PH: (954) 359-8478
FAX: (954) 744-4738
WEB: www.buildingdrops.com

REMARKS	BY	DATE
A-CODE CHANGE 2020	YC	09/20

THE INSTALLATION DETAILS DESCRIBED HERE IN ARE GENERIC AND MAY NOT REFLECT ACTUAL CONDITIONS FOR A SPECIFIC SITE. IF SITE CONDITIONS CAUSE INSTALLATION TO DEVIATE FROM THE REQUIREMENTS DETAILED HEREIN, A LICENSED ENGINEER OR ARCHITECT SHALL PREPARE SITE SPECIFIC DOCUMENTS FOR USE WITH THIS DOCUMENT.



FL #: **FL27615**

DATE: **05.02.19**

DWG. BY: EG	CHK. BY: HFN
-----------------------	------------------------

SCALE: **NTS**

DWG. #: **EC1009**

12/16/2020 4:27 PM
s:\projects\eurocraft_industries_inc\c-20-0916-fbc code change (ver. 7)\revisions\new revisions\127615\dwgs\ec009_french_door.dwg



7905 NW 77TH AVE
MEDLEY, FL 33166
PH: (305) 888-5718 FX: (305) 220-5073

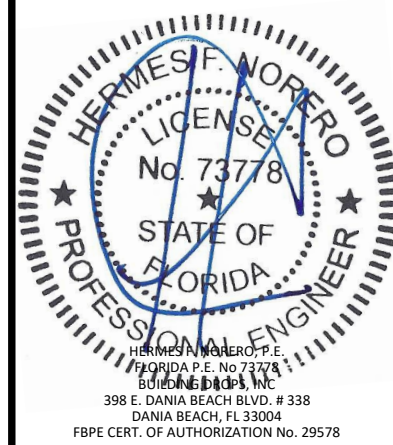
TITLE: 76AD OS FRENCH DOOR
(HVHZ)(IMPACT)
ELEVATIONS & ANCHOR LAYOUTS

PREPARED BY:

BUILDING DROPS, INC.
398 E. DANIA BEACH BLVD., STE. 338
DANIA BEACH, FL 33004
PH: (954)399-8478
FAX: (954)744-4738
WEB: www.buildingdrops.com

REMARKS	BY	DATE
A-CODE CHANGE 2020	YC	09/20

THE INSTALLATION DETAILS DESCRIBED HERE IN ARE GENERIC AND MAY NOT REFLECT ACTUAL CONDITIONS FOR A SPECIFIC SITE. IF SITE CONDITIONS CAUSE INSTALLATION TO DEVIATE FROM THE REQUIREMENTS DETAILED HEREIN, A LICENSED ENGINEER OR ARCHITECT SHALL PREPARE SITE SPECIFIC DOCUMENTS FOR USE WITH THIS DOCUMENT.



HERMES F. MORERO, P.E.
FLORIDA P.E. No. 73778
BUILDING DROPS, INC.
398 E. DANIA BEACH BLVD. # 338
DANIA BEACH, FL 33004
FBPE CERT. OF AUTHORIZATION No. 29578

FL #: **FL27615**

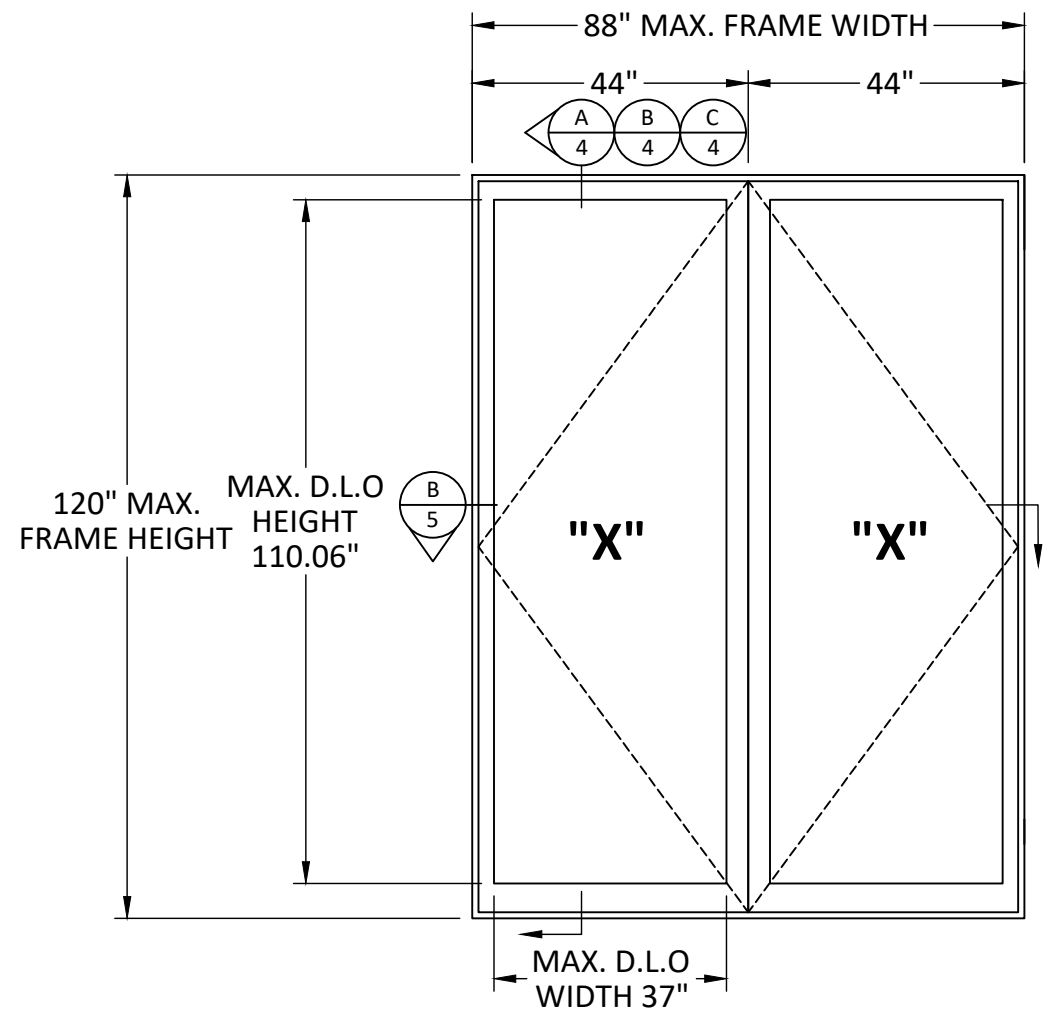
DATE: **05.02.19**

DWG. BY: **EG** CHK. BY: **HFN**

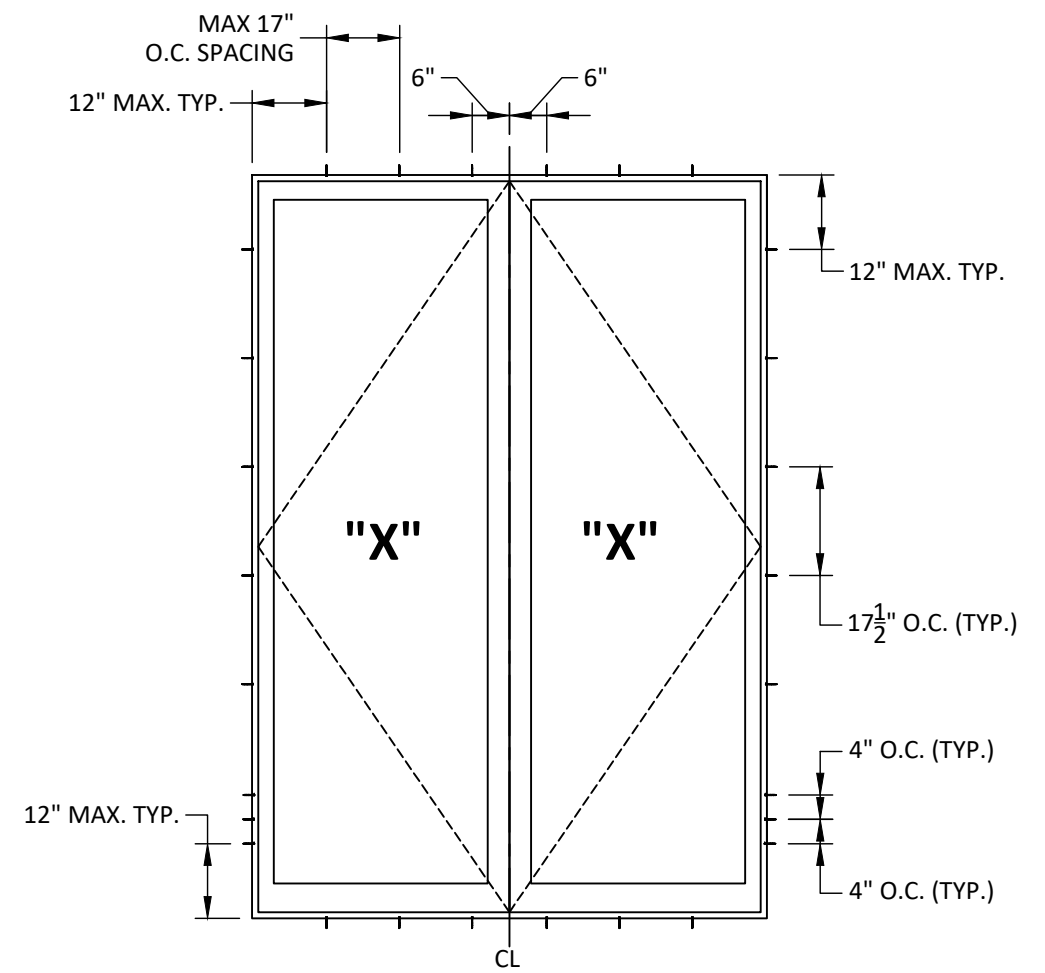
SCALE: **NTS**

DWG. #: **ECI009**

SHEET:
3
OF 8



ELEVATION
FRENCH DOOR



ANCHOR LAYOUT
THROUGH FRAME

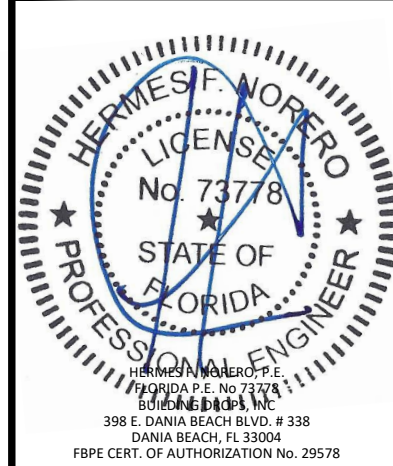
s:\projects\eurocraft_industries inc\cc-20-0916-fbc code change (ver. 7)\revisions\new revisions\127615\dwg\eci009_french door.dwg 12/16/2020 4:27 PM

BUILDING DROPS, INC.
 398 E. DANIA BEACH BLVD., STE. 338
 DANIA BEACH, FL 33004
 PH: (954) 399-8478
 FAX: (954) 744-4738
 WEB: www.buildingdrops.com

TITLE: 76AD OS FRENCH DOOR
 (HVHZ)(IMPACT)
 VERTICAL SECTIONS

REMARKS	BY	DATE
A-CODE CHANGE 2020	YC	09/20

THE INSTALLATION DETAILS DESCRIBED HERE IN ARE GENERIC AND MAY NOT REFLECT ACTUAL CONDITIONS FOR A SPECIFIC SITE. IF SITE CONDITIONS CAUSE INSTALLATION TO DEVIATE FROM THE REQUIREMENTS DETAILED HEREIN, A LICENSED ENGINEER OR ARCHITECT SHALL PREPARE SITE SPECIFIC DOCUMENTS FOR USE WITH THIS DOCUMENT.



FL #: **FL27615**

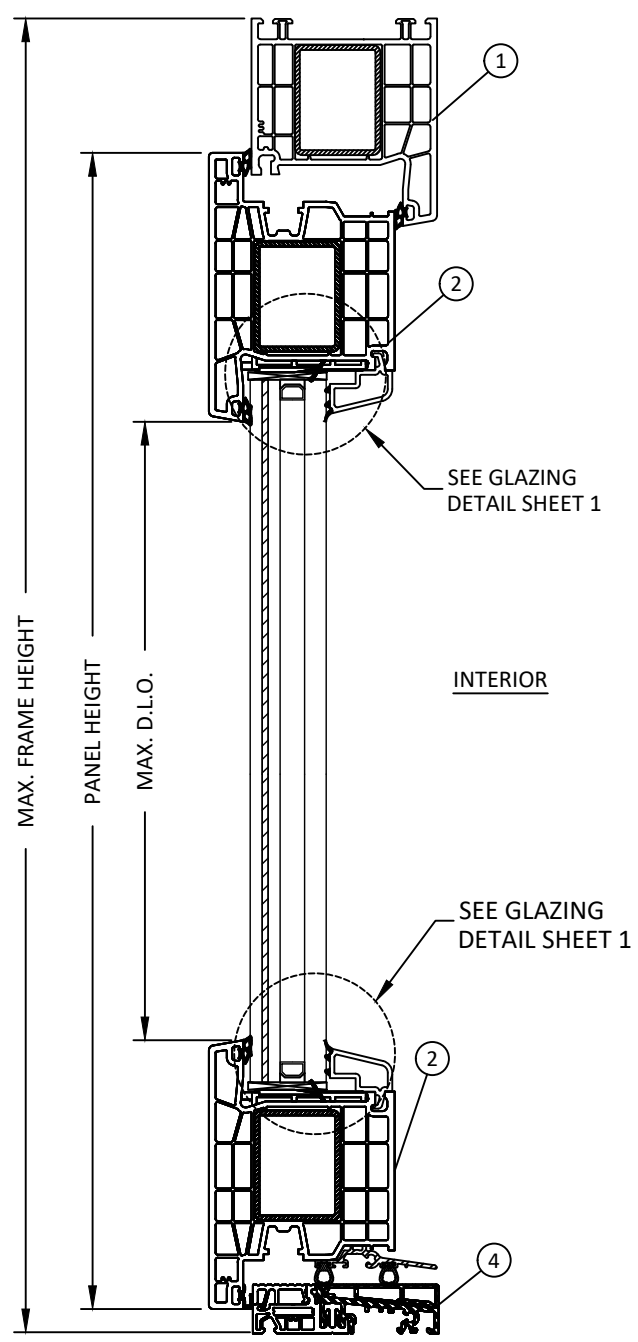
DATE: **05.02.19**

DWG. BY: EG	CHK. BY: HFN
--------------------	---------------------

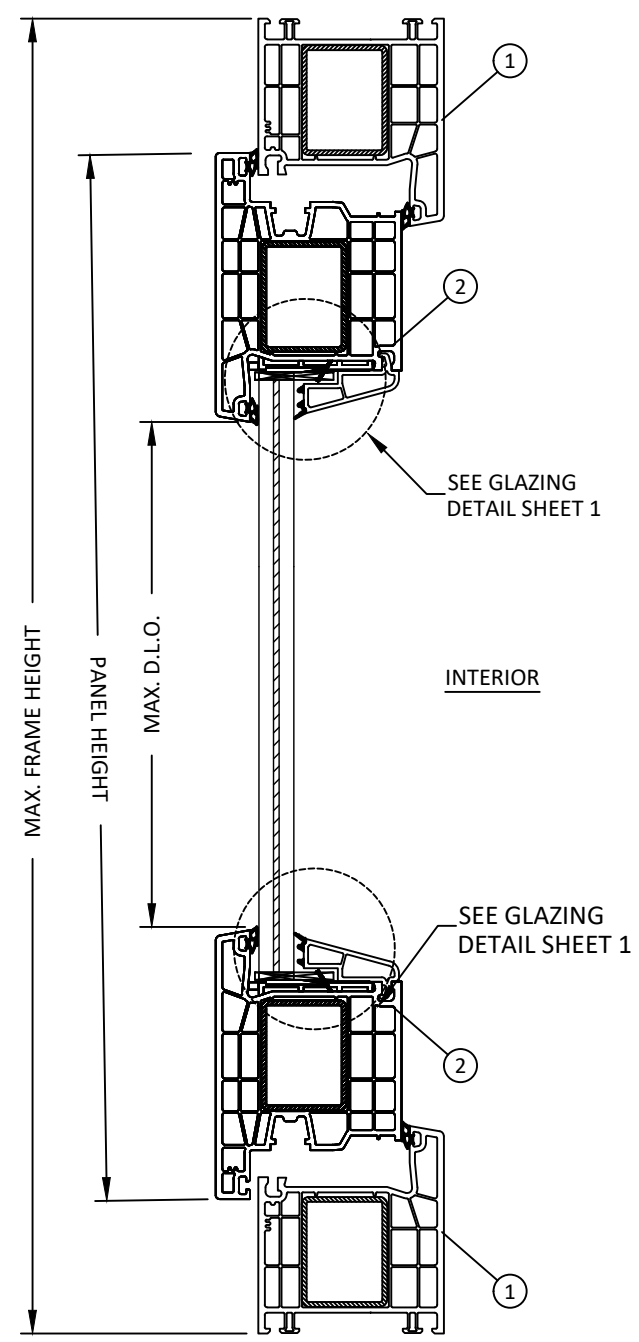
SCALE: **NTS**

DWG. #: **ECI009**

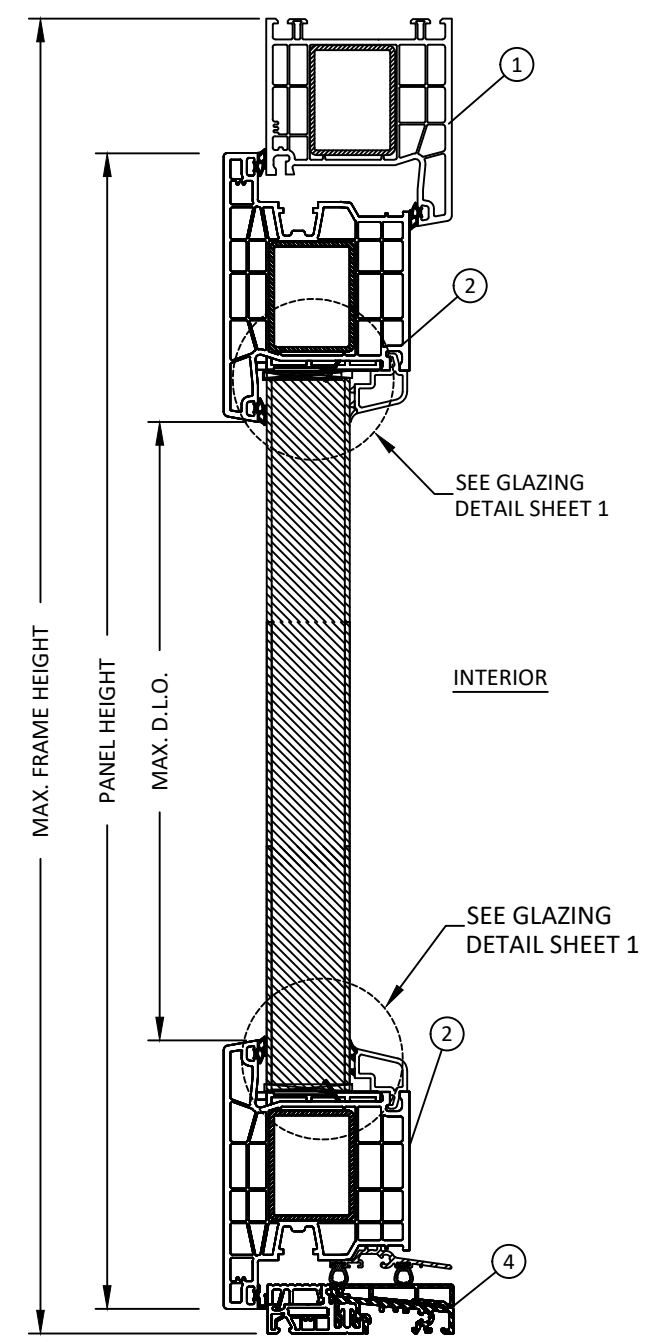
SHEET:



A
4 **VERTICAL SECTION**
FRENCH DOOR - IG LAMI GLASS

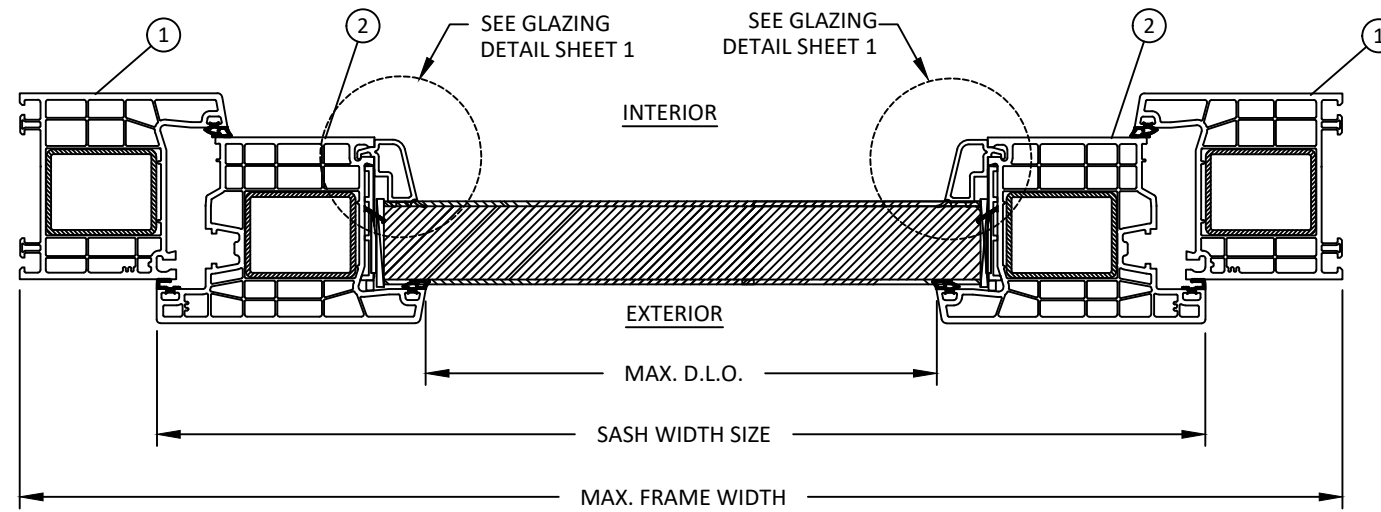


B
4 **VERTICAL SECTION**
FRENCH DOOR - MONO LAMI GLASS

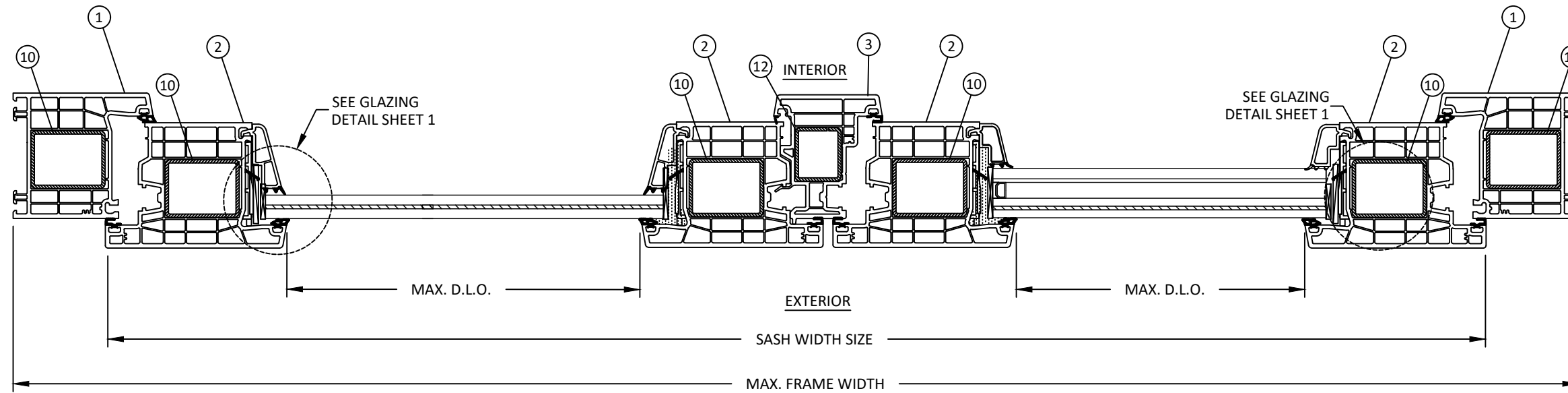


C
4 **VERTICAL SECTION**
FRENCH DOOR - OPAQUE PANEL

s:\projects\eurocraft_industries inc\cc-20-0916-fbc code change (ver. 7)\revisions\new revisions\127615\dwgs\eci009_french door.dwg 12/16/2020 4:27 PM



A
5 **HORIZONTAL SECTION**
FRENCH DOOR - SINGLE DOOR



B
5 **HORIZONTAL SECTION**
FRENCH DOOR - DOUBLE DOOR



7905 NW 77TH AVE
MEDLEY, FL 33166
PH: (305) 888-5718 FX: (305) 220-5073

TITLE: 76AD 05 FRENCH DOOR
(HVHZ)(IMPACT)

HORIZONTAL SECTIONS

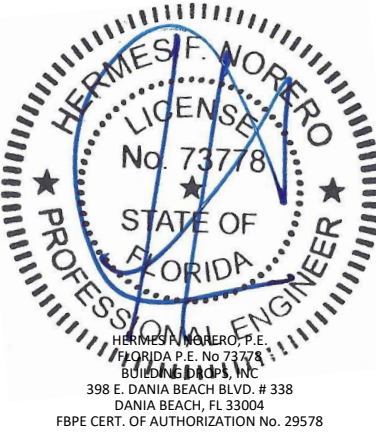
PREPARED BY:

BUILDING DROPS, INC.
398 E. DANIA BEACH BLVD., STE. 338
DANIA BEACH, FL 33004
PH: (954) 399-8478
FAX: (954) 474-4738
WEB: www.buildingdrops.com



REMARKS	BY	DATE
A-CODE CHANGE 2020	YC	09/20

THE INSTALLATION DETAILS DESCRIBED HERE IN ARE GENERIC AND MAY NOT REFLECT ACTUAL CONDITIONS FOR A SPECIFIC SITE. IF SITE CONDITIONS CAUSE INSTALLATION TO DEVIATE FROM THE REQUIREMENTS DETAILED HEREIN, A LICENSED ENGINEER OR ARCHITECT SHALL PREPARE SITE SPECIFIC DOCUMENTS FOR USE WITH THIS DOCUMENT.



FL #: **FL27615**

DATE: **05.02.19**

DWG. BY: **EG** CHK. BY: **HFN**

SCALE: **NTS**

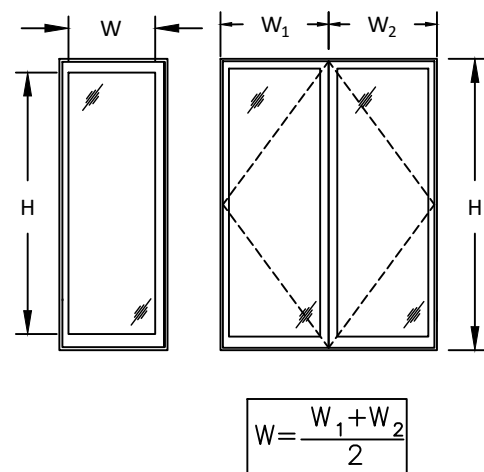
DWG. #: **ECI009**

SHEET:

5

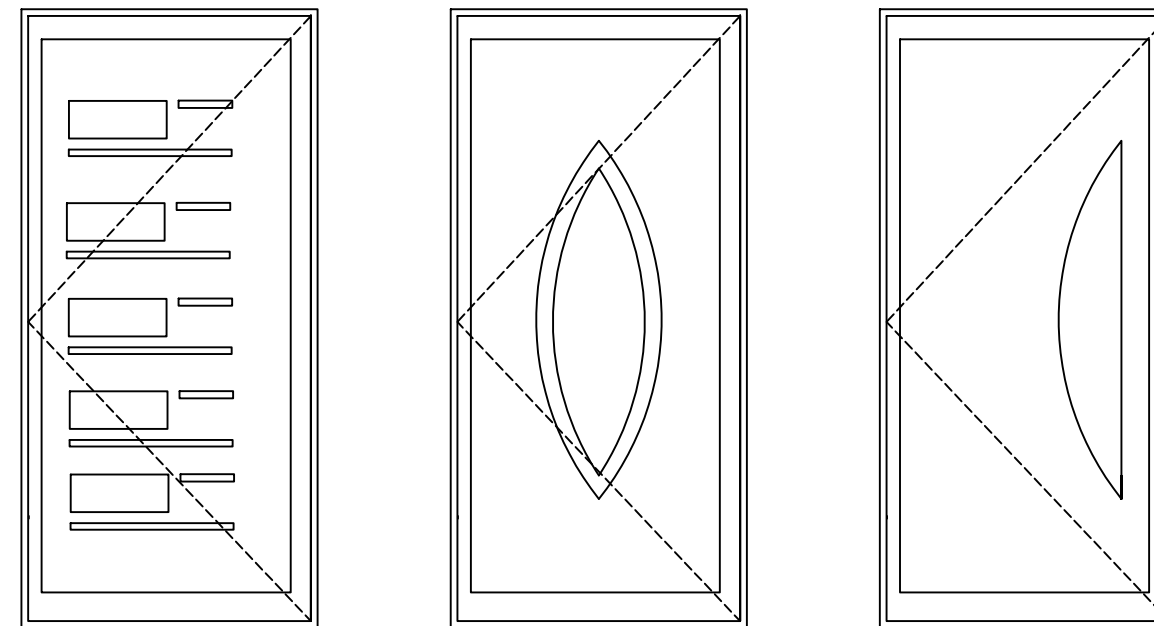
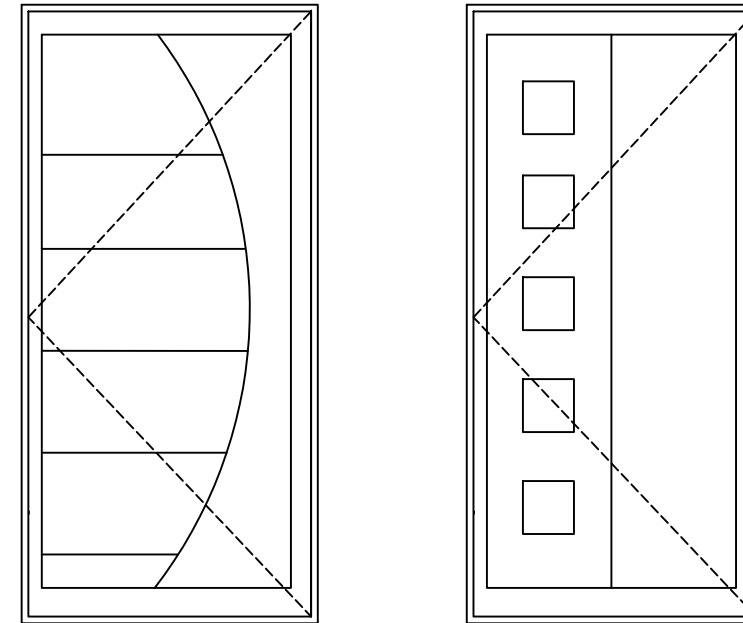
OF 8

s:\projects\eurocraft_industries inc\cc-20-0916-fbc code change (ver. 7)\revisions\new revisions\127615\dwgs\ec009 french door.dwg 12/16/2020 4:27 PM



GLASS LOAD CAPACITY (PSF)			
FRAME DIMENSIONS. (in)		GLASS TYPE 1-5	
FRAME WIDTH	FRAME HEIGHT	EXT. (+) INT. (-)	
24	60	120.0	
30		120.0	
36		120.0	
42		120.0	
48		110.0	
54		97.8	
60		88.0	
66	96.8		
24	72	120.0	
30		120.0	
36		120.0	
42		120.0	
48		110.0	
54		97.8	
60		88.0	
66	80.0		
24	84	120.0	
30		120.0	
36		120.0	
42		120.0	
48		110.0	
54		97.8	
60		88.0	
66	-		
24	96	120.0	
30		120.0	
36		120.0	
42		120.0	
48		110.0	
54		97.8	
60		-	
66	-		
24	108	120.0	
30		120.0	
36		120.0	
42		120.0	
48		110.0	
54		-	
60		-	
66	-		
24	120	120.0	
30		120.0	
36		120.0	
42		120.0	
44		120.0	
48		-	
54		-	
60	-		

OPTIONAL OPAQUE GLASS PANELS



NOTE:
 1. GLASS PATTERNS ON OPAQUE PANELS CONSIST OF 3/16" GLASS SURFACE APPLIED FLUSH WITH PVC SKIN.
 2. CONTACT MANUFACTURER FOR ADDITIONAL PATTERN OPTIONS

7905 NW 77TH AVE
 MEDLEY, FL 33166
 PH: (305) 888-5718 FX: (305) 220-5073

TITLE: 76AD 05 FRENCH DOOR (HVHZ)(IMPACT)
DESIGN PRESSURE TABLE & OPAQUE PANEL OPTIONS

PREPARED BY: BUILDING DROPS, INC.
 398 E. DANIA BEACH BLVD., STE. 338
 DANIA BEACH, FL 33004
 PH: (954) 359-8478
 FAX: (954) 744-4738
 WEB: www.buildingdrops.com

REMARKS	BY	DATE
A-CODE CHANGE 2020	YC	09/20

THE INSTALLATION DETAILS DESCRIBED HERE IN ARE GENERIC AND MAY NOT REFLECT ACTUAL CONDITIONS FOR A SPECIFIC SITE. IF SITE CONDITIONS CAUSE INSTALLATION TO DEVIATE FROM THE REQUIREMENTS DETAILED HEREIN, A LICENSED ENGINEER OR ARCHITECT SHALL PREPARE SITE SPECIFIC DOCUMENTS FOR USE WITH THIS DOCUMENT.

HERMES J. MORERO, P.E.
 FLORIDA P.E. No. 73778
 BUILDING DROPS, INC.
 398 E. DANIA BEACH BLVD. # 338
 DANIA BEACH, FL 33004
 FBPE CERT. OF AUTHORIZATION No. 29578

FL #: **FL27615**

DATE: **05.02.19**

DWG. BY: **EG** CHK. BY: **HFN**

SCALE: **NTS**

DWG. #: **EC1009**

SHEET: **6** OF 8

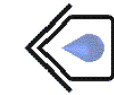
s:\projects\eurocraft industries inc\c-20-0916-fbr code change (ver. 7)\revisions\new revisions\127615\dwg\eci009 french door.dwg



7905 NW 77TH AVE
MEDLEY, FL 33166
PH: (305) 888-5718 FX: (305) 220-5073

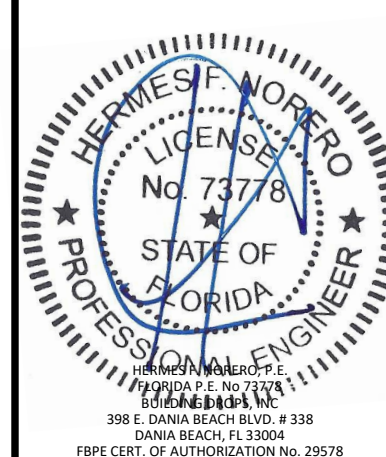
TITLE: 76AD OS FRENCH DOOR
(HVHZ)(IMPACT)

INSTALLATION NOTES, REINFORCEMENT
& ANCHOR DETAILS

PREPARED BY:

BUILDING DROPS, INC.
398 E. DANIA BEACH BLVD., STE. 338
DANIA BEACH, FL 33004
PH: (954) 399-8478
FAX: (954) 744-4738
WEB: www.buildingdrops.com

REMARKS	BY	DATE
A-CODE CHANGE 2020	YC	09/20

THE INSTALLATION DETAILS DESCRIBED HERE IN ARE GENERIC AND MAY NOT REFLECT ACTUAL CONDITIONS FOR A SPECIFIC SITE. IF SITE CONDITIONS CAUSE INSTALLATION TO DEVIATE FROM THE REQUIREMENTS DETAILED HEREIN, A LICENSED ENGINEER OR ARCHITECT SHALL PREPARE SITE SPECIFIC DOCUMENTS FOR USE WITH THIS DOCUMENT.



FL #: **FL27615**

DATE: **05.02.19**

DWG. BY: **EG** CHK. BY: **HFN**

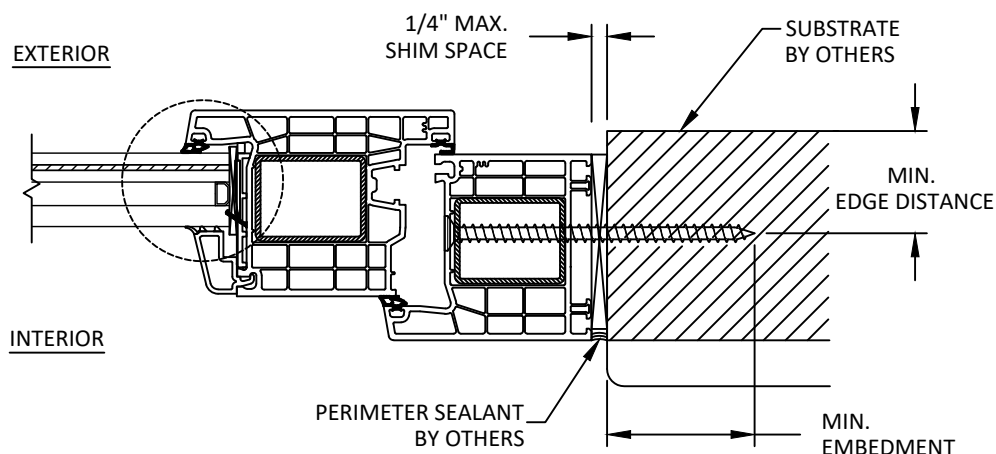
SCALE: **NTS**

DWG. #: **ECI009**

SHEET:

7

OF 8



A
7 **HORIZONTAL SECTION**
THROUGH FRAME (JAMB)

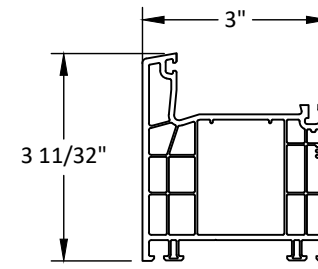
ANCHOR SCHEDULE				
METHOD	SUBSTRATE	ANCHOR SCHEDULE	MIN EMBEDMENT	MIN. EDGE DISTANCE
THROUGH FRAME	WOOD: MIN. SG = 0.55	#14 WOOD SCREW FLAT HEAD	1.5"	0.75"
	METAL: 18 GAUGE STEEL, MIN. Fy = 33KSI	1/4" TEK SCREW FLAT HEAD	3 THREADS MIN PENETRATION BEYOND METAL	0.5"
	METAL: ALUMINUM MIN. 1/8" THICKNESS (6063-T5 MIN)			
	CONCRETE: MIN. f _c =3000PSI	1/4" ITW TAPCON FLATHEAD	1.25"	2.0
	MASONRY: CMU per ASTM C90 MIN. 2000 PSI	1/4" ITW TAPCON FLATHEAD	1"	2.0

INSTALLATION NOTES:

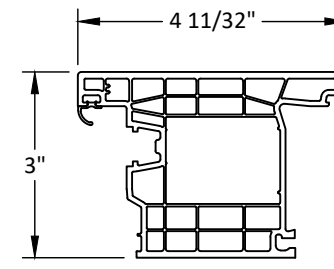
- ONE (1) INSTALLATION ANCHOR IS REQUIRED AT EACH ANCHOR LOCATION SHOWN.
- THE NUMBER OF INSTALLATION ANCHORS DEPICTED IS THE MINIMUM NUMBER OF ANCHORS TO BE USED FOR PRODUCT INSTALLATION OF THE MAXIMUM SIZE LISTED.
- INSTALL INDIVIDUAL INSTALLATION ANCHORS WITHIN A TOLERANCE OF ±1/4 INCH THE DEPICTED LOCATION & SPACING IN THE ANCHOR LAYOUT DETAILS (I.E., WITHOUT CONSIDERATION OF TOLERANCES). TOLERANCES ARE NOT CUMULATIVE FROM ONE INSTALLATION ANCHOR TO THE NEXT.
- SHIM AS REQUIRED AT EACH INSTALLATION ANCHOR WITH LOAD BEARING SHIM(S). MAXIMUM ALLOWABLE SHIM STACK TO BE 1/4 INCH. SHIM WHERE SPACE OF 1/16 INCH OR GREATER OCCURS. SHIM(S) SHALL BE CONSTRUCTED OF HIGH DENSITY PLASTIC OR BETTER.
- FOR MASONRY OR CONCRETE OPENINGS, A 1X WOOD BUCK MAY BE USED (OPTIONAL) AS LONG AS THE MINIMUM EMBEDMENT AND EDGE DISTANCE REQUIREMENTS ARE STILL MET WITHIN THE CORRESPONDING HOST SUBSTRATE. SEE GENERAL NOTE #3 ON SHEET 1 FOR MORE INFORMATION.
- MINIMUM EMBEDMENT AND EDGE DISTANCE EXCLUDE WALL FINISHES, INCLUDING BUT NOT LIMITED TO STUCCO, FOAM, BRICK VENEER, AND SIDING.
- INSTALLATION ANCHORS AND ASSOCIATED HARDWARE MUST BE MADE OF CORROSION RESISTANT MATERIAL OR HAVE A CORROSION RESISTANT COATING.
- FOR HOLLOW BLOCK AND GROUT FILLED BLOCK, DO NOT INSTALL INSTALLATION ANCHORS INTO MORTAR JOINTS. EDGE DISTANCE IS MEASURED FROM FREE EDGE OF BLOCK OR EDGE OF MORTAR JOINT INTO FACE SHELL OF BLOCK.
- INSTALLATION ANCHORS SHALL BE INSTALLED IN ACCORDANCE WITH ANCHOR MANUFACTURER'S INSTALLATION INSTRUCTIONS, AND ANCHORS SHALL NOT BE USED IN SUBSTRATES WITH STRENGTHS LESS THAN THE MINIMUM STRENGTH SPECIFIED BY THE ANCHOR MANUFACTURER.

12/16/2020 4:27 PM
 s:\projects\eurocraft industries inc\cc-20-0916-fbc code change (ver. 7)\revisions\new revisions\127615\dwgs\ec009 french door.dwg

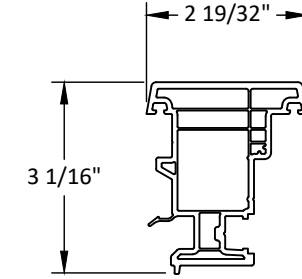
BILL OF MATERIALS			
ITEM	PART No.	DESCRIPTION	MATERIAL
1	76102	FRAME - RIGID VINYL	VINYL
2	76205	SASH	VINYL
3	76402	FLOATING MULLION	VINYL
4	A076	THRESHOLD	VINYL/ALUMINUM
5	A061	WEATHERBAR	ALUMINUM
6	A065	ALUMINUM PROFILE	ALUMINUM
7	2452	I.G. GLAZING BEAD	VINYL
8	2434	LAMI GLAZING BEAD	VINYL
9	2658	GLAZING GASKET	TPV/EPDM
10	V314	REINFORCEMENT	STEEL
11	V337	REINFORCEMENT	STEEL
12	V310	REINFORCEMENT	STEEL



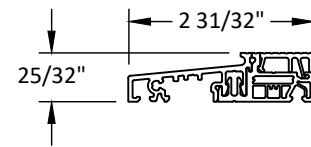
① FRAME



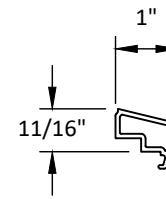
② SASH



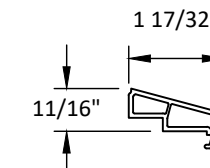
③ FLOATING MULLION



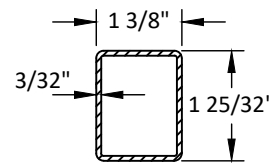
④ THRESHOLD



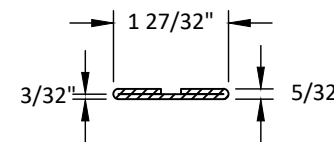
⑦ I.G. GLAZING BEAD



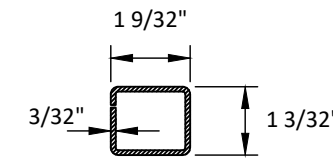
⑧ LAMI GLAZING BEAD



⑩ REINFORCEMENT



⑪ REINFORCEMENT



⑫ REINFORCEMENT

7905 NW 77TH AVE
 MEDLEY, FL 33166
 PH: (305) 888-5718 FX: (305) 220-5073

TITLE: 76AD OS FRENCH DOOR (HVHZ)(IMPACT)
 BILL OF MATERIALS
 PREPARED BY: BUILDING DROPS, INC.
 398 E. DANIA BEACH BLVD., STE. 338
 DANIA BEACH, FL 33004
 PH: (954) 399-8478
 FAX: (954) 744-4738
 WEB: www.buildingdrops.com

REMARKS	BY	DATE
A-CODE CHANGE 2020	YC	09/20

THE INSTALLATION DETAILS DESCRIBED HERE IN ARE GENERIC AND MAY NOT REFLECT ACTUAL CONDITIONS FOR A SPECIFIC SITE. IF SITE CONDITIONS CAUSE INSTALLATION TO DEVIATE FROM THE REQUIREMENTS DETAILED HEREIN, A LICENSED ENGINEER OR ARCHITECT SHALL PREPARE SITE SPECIFIC DOCUMENTS FOR USE WITH THIS DOCUMENT.

HERMES F. MORERO, P.E.
 LICENSE No. 73778
 STATE OF FLORIDA
 PROFESSIONAL ENGINEER
 398 E. DANIA BEACH BLVD. # 338
 DANIA BEACH, FL 33004
 FBPE CERT. OF AUTHORIZATION No. 29578

FL #: **FL27615**
 DATE: **05.02.19**
 DWG. BY: **EG** CHK. BY: **HFN**
 SCALE: **NTS**
 DWG. #: **ECI009**
 SHEET: **8** OF 8